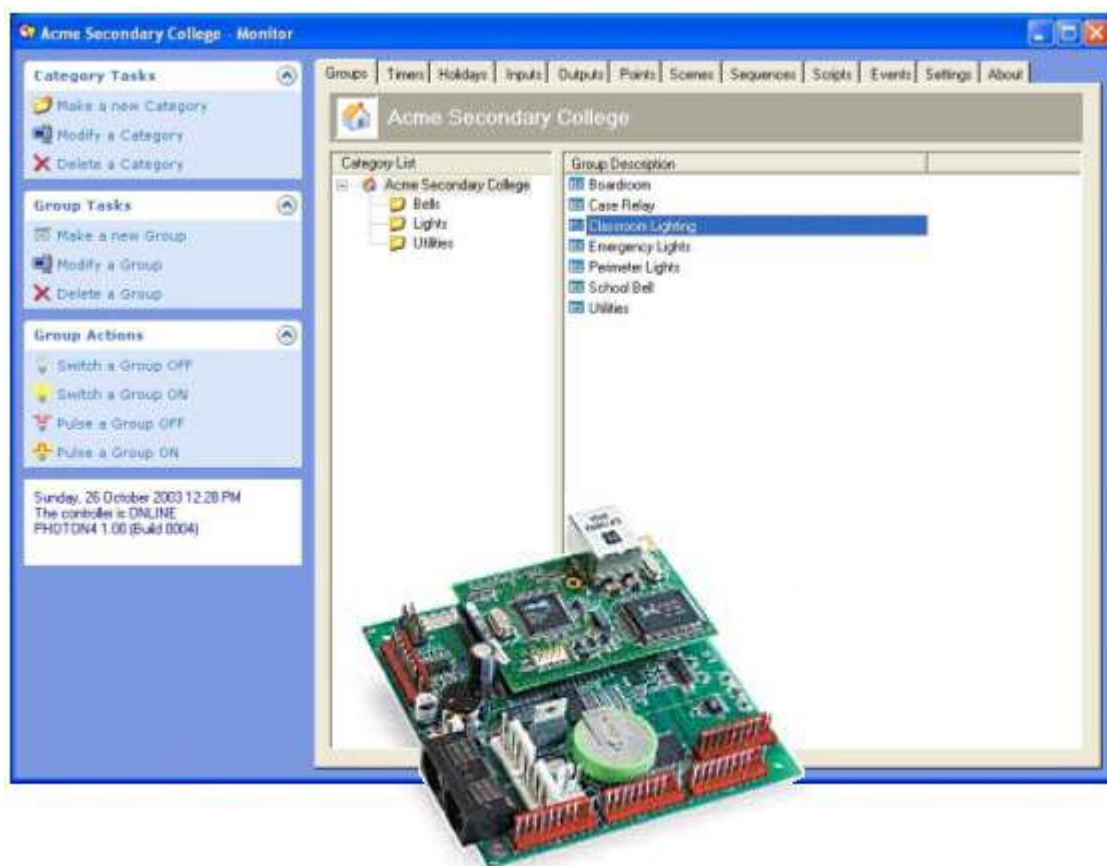


# Building Monitor

Advanced Lighting Control for DALI devices  
with Ballast and Lamp status reporting



# Individual control of every ballast

The Building Monitor lighting control system is a fully integrated scheduler and intelligent control system designed to control lighting, signage and other building systems. The system scales from small self-contained installations to large networked solutions.

## Digital technology

The latest electronic ballasts regulate the mains supply to ensure the optimum performance of attached lamps. They control preheating, ignition, discharge current, power factor and dimming. The ballast must be able to perform its tasks without having its mains supply interfered with or clipped.

What is required is a way to communicate with each ballast, to issue commands and to monitor status. DALI is that technology.

DALI, the Digital Addressable Lighting Interface (IEC 929), is a standard protocol to communicate with electronic ballasts. It provides individual addressing for each ballast, groups, scenes and status reporting of lighting levels and ballast and lamp errors.

DALI ballasts are connected together on a 2-wire polarity free bus in a free topology to create a DALI control loop.

## Energy management

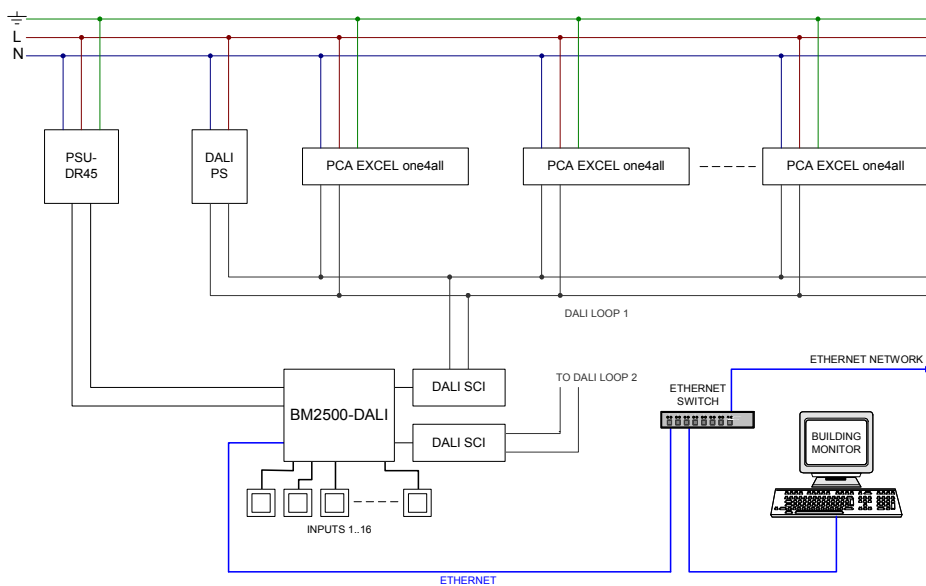
The Building Monitor system using BM-DALI master controllers and DALI ballasts provides lamp friendly, flicker free and energy efficient operation. Building Monitor helps reduce energy bills by providing a managed approach to power usage ensuring equipment is only active when it is required.

The processing power and local intelligence built into each BM-DALI controller provides a set and forget control system, as it monitors, analyses and controls without further operator intervention.

## TCP/IP to DALI gateway

Each controller operates independently making it ideal for small applications while controllers can be networked together for large systems using existing network infrastructure.

The BM-DALI controller is the gateway between your computer and DALI field devices providing centralised management of distributed control systems. A Building Monitor system can be reconfigured and expanded to meet changing needs.



DALI Control System using BM2500-DALI		
DRG NO: 41001	DATE: 4-AUG-2004	REV NO: A

Monitor Software

## Flexible Time Scheduling

Building Monitor provides the ability to configure automatic scheduling of lighting control actions.

The BM-DALI master controller provides accurate scheduling as it incorporates a real-time clock that can be automatically synchronised to an atomic clock on a NTP network time server.

The controller features automatic daylight savings adjustment, daily sunrise and sunset, and holiday exceptions.



DALI controlled auditorium with Tridonic.Atco PCA Excel one4all ballasts

## Integrated I/O

The BM-DALI master controller provides 16 configurable multi-function inputs for controlling lighting using external triggers. Simply add pushbuttons to create group controllers and scene controllers.

Occupancy detectors and daylight sensors can be wired to provide additional control functionality.

Each input includes an adjustable override timer to ensure lighting is not left on thereby reducing energy costs.

## Networks and Scaleability

In addition to its advanced control capabilities the BM-DALI controller is also a TCP/IP gateway linking DALI devices to your network infrastructure creating a truly distributed lighting management solution.

Computer users can adjust lighting in their own area by simply clicking a mouse button.



### Pop-out manual control for computer users

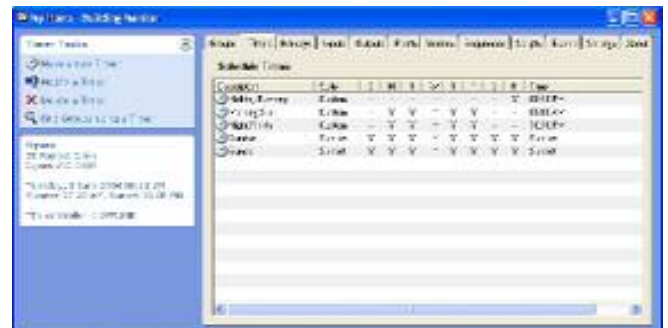
Building Monitor systems can be expanded to suit your growing needs. Additional controllers, I/O and ballasts can be added at any time to meet the changing requirements of an installation.

The Building Monitor system can be integrated with keypads, LCD modules, signage, access control systems, remote controls and SMS text messaging.

## Status and Alarm reporting

With inbuilt intelligence in every DALI ballast the BM-DALI master controller reports equipment status, failures and alarms when they occur.

The system provides live information including light levels, lamp failures, ballast errors and gives you the exact location of any problem simplifying the job of maintenance and operation personnel.



### Time Schedules are easily configured

## BM-DALI Master Controller

Building Monitor BM-DALI master controller with integrated real-time clock, time scheduling, group, scene and sequence control.

- BM-DALI-64 Single DALI loop controller
- BM-DALI-128 Dual DALI loop controller

## DALI interface



DALI interface to connect the BM-DALI master controller into a DALI control loop. One per loop.

- DALI-SCI DALI controller interface

## DALI Power Supply



Central DIN rail mount power supply unit to provide current limited supply to a DALI control loop.

- DALI-PS

## DALI ballasts and devices



Fully digital electronic ballasts for the dimming of fluorescent and low voltage halogen lamps.

## Building Monitor Software



Lighting Management software for intelligent control of one or more DALI lighting control loops.

Building Monitor provides configuration of BM-DALI controllers with RTC, automatic scheduling, integrated inputs and outputs, DALI points, scenes, sequences and status monitoring.

## BM-DALI OPC Server

The Monitor OPC Server for BM-DALI provides an OPC Data Access Interface for BM-DALI controllers to building management systems.

The package comes complete with OPC Monitor client application.

Available from: