

## BM2500-DALI DALI Intelligent Controller and Gateway

The Monitor BM2500-DALI intelligent controller and gateway provides powerful scheduling and control of two DALI loops.

Each controller/gateway has inbuilt intelligence and capabilities including:

- Control of one or two DALI control loops enabling control of up to 128 ballasts.
- RJ45 socket for a CAT5 patch cable to connect to an Ethernet network.
- On-board real time clock with automatic daylight savings correction and support for synchronisation with a network time server.
- Automatic time schedules for control of ballasts, Groups, Scenes and Stored Sequences.
- Stand-alone and network capabilities. Schedules continue to run even when controller is disconnected from the network.
- Sunrise and Sunset events with offset times.
- 32 DALI groups, 16 per DALI loop
- 20 Holidays for exception schedules.
- 32 Scenes, 16 per DALI loop.
- 32 Stored Sequences.
- 16 multi-function inputs for connection of pushbuttons, switches, occupancy sensors, PE cells etc. Each Input supports:
  - Control of multiple Groups on either DALI loop
  - Full dimming capabilities of DALI Groups
  - Activation of Scenes and Stored Sequences
  - DALI/DSI control
  - Integrated Override Timer for additional energy savings
- 8 outputs to control relays, circuit breakers, security, lighting, heating, HVAC etc.
- Status LEDs for Ethernet, DALI Loops and System Operation.
- Optional Card Reader and Keypad Interfaces.
- Each DALI control loop requires a DALI-SCI interface and DALI-PS power supply.



### Ordering Information

Part Number	Description
BM2500-DALI	DALI Intelligent Controller/Gateway
PSU-DR4524	Power Supply 24Vdc and connector
MNT-UM100	DIN Rail Mounting Kit
BM-CON-MLX3	I/O Connector Pack, 3x Molex connectors

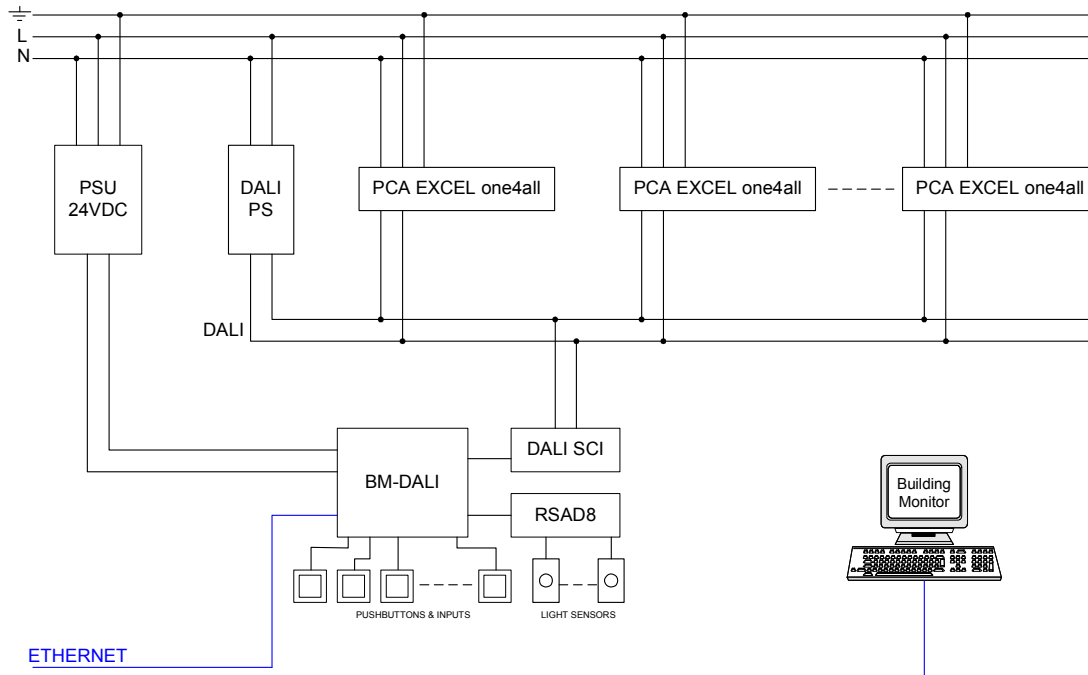
Due to continuing product enhancement specifications are subject to change.

**RLT511 Room Light Transmitter and RSAD8 8-channel Analog Interface**

Monitor RLT511 Room Light Transmitters and RSAD8 Analog Interfaces provide light levels to the BM2500-DALI controller to enable automatic dimming of DALI groups.

Groups can therefore be controlled to achieve a set light level in an office or warehouse environment.

Up to eight RLT511s can be connected to each RSAD8 interface.



**Building Monitor Control System with BM-DALI-64**

DRG NO: 41002	DATE: 4-AUG-2004	REV NO:
---------------	------------------	---------

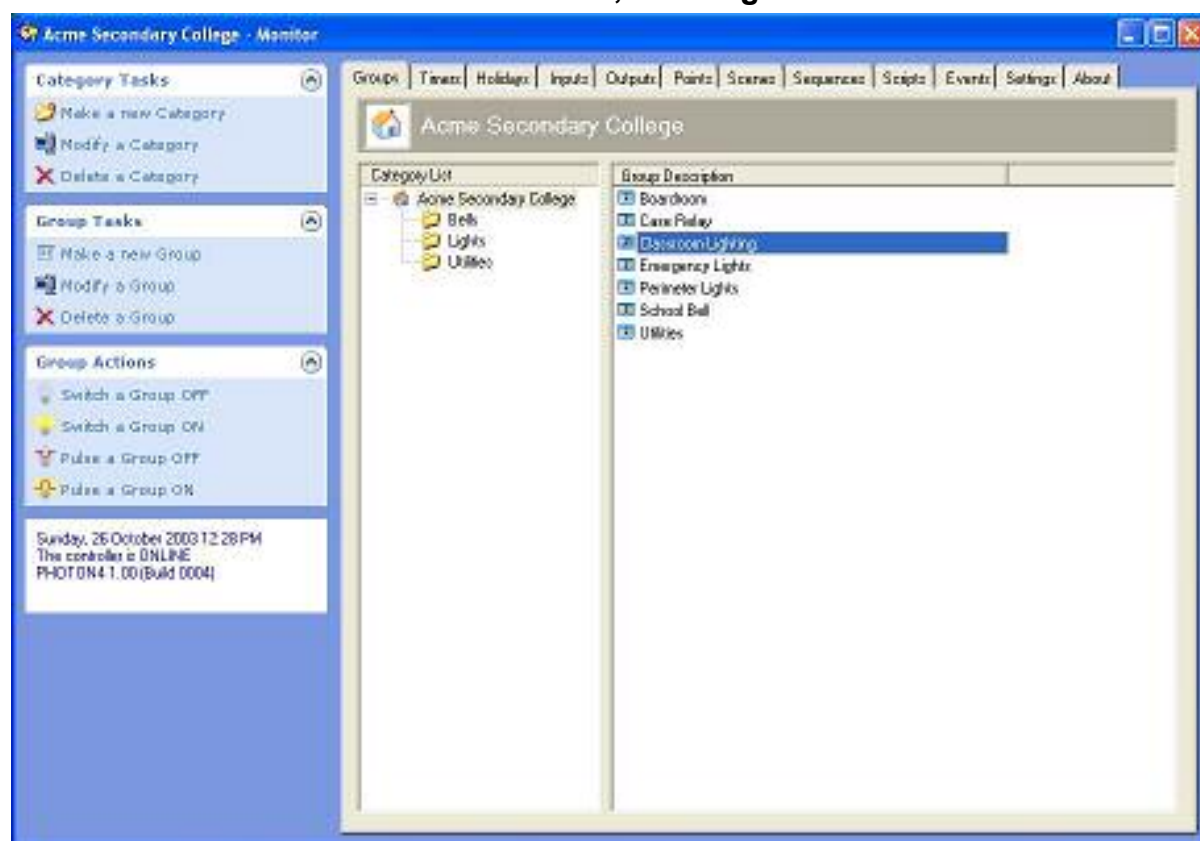
Monitor Software

**Ordering Information**

Part Number	Description
RLT511	Room Light Transmitter
RSAD8	8-Channel Analog Interface for BM2500-DALI

Due to continuing product enhancement specifications are subject to change.

## BM-SOFT-60 BUILDING MONITOR, Building Control Software



Building Monitor, building control software, provides the user interface to manage and control BM2500-DALI intelligent controllers and their associated DALI control loops.

The software provides the ability to:

- Manage one or more DALI control loops via one or more BM2500 controllers.
- Configure DALI Groups and Scenes.
- Configure of automatic time schedules for control of ballasts, Groups, Scenes and Stored Sequences.
- Configure controller On-board real time clock with automatic daylight savings correction and support for synchronisation with a network time server.
- Configure Sunrise and Sunset events with offset times.
- Monitor the status of BM-2500 controllers, DALI ballasts and lamps.
- View history of system status messages
- Manually control DALI groups, scenes and ballasts

### Ordering Information

Part Number	Description
BM-SOFT-60	Building Monitor, monitoring and control software