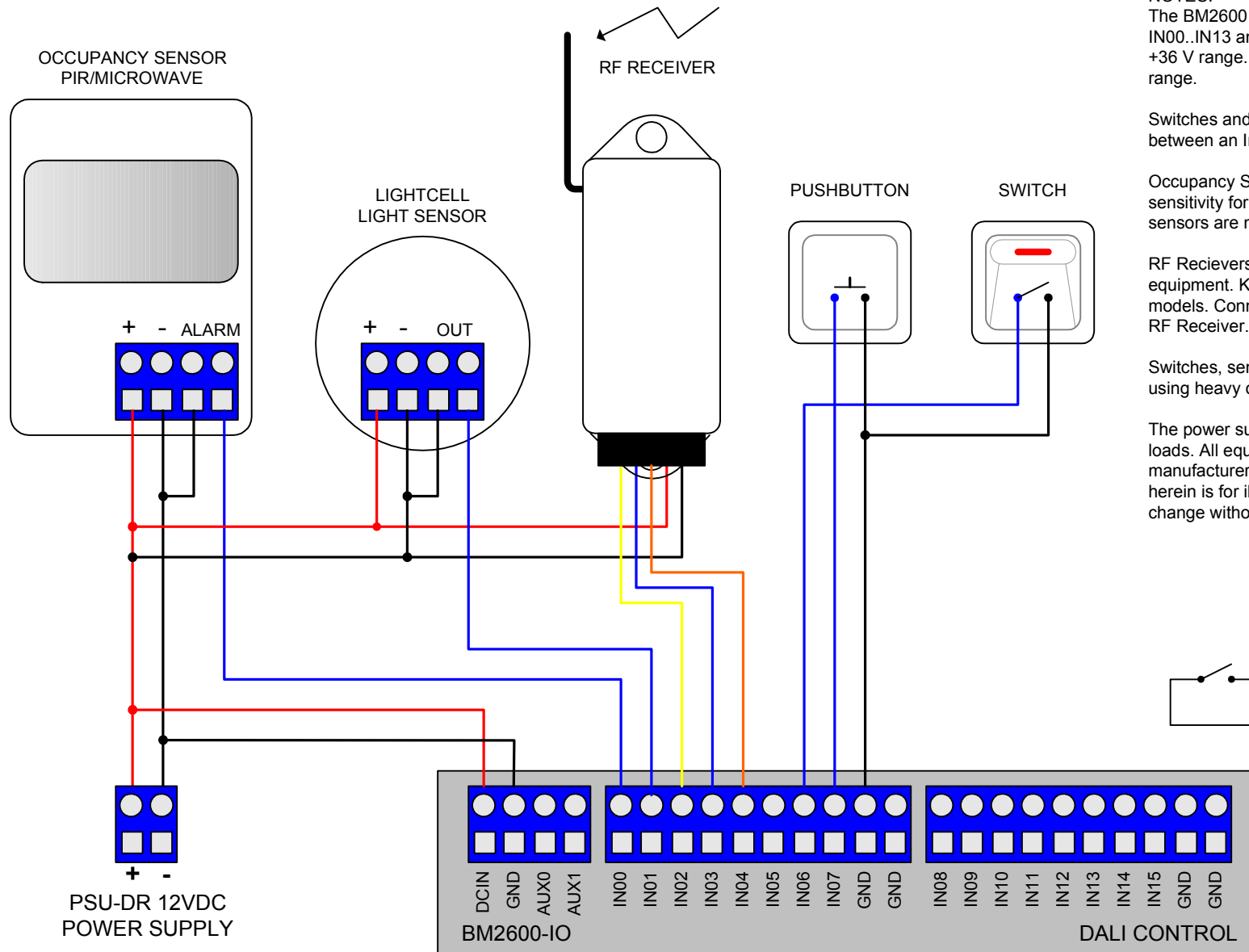


BM-DALI Controller Wiring Overview

DRG NO: DALI-2001	DATE: 28-AUG-2007	REV NO: F
-------------------	-------------------	-----------

www.dalicontrol.com



NOTES:
 The BM2600 Controller has 16 digital inputs, IN00..IN15. IN00..IN13 and IN15 are each protected over a -36 V to +36 V range. IN14 is protected over a -36 V to +5 V range.

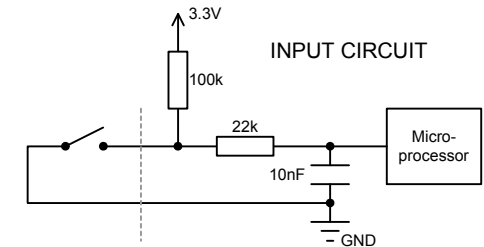
Switches and pushbuttons are wired as a contact closure between an Input terminal and GND.

Occupancy Sensors should be set to their highest sensitivity for lighting control. Note that many security sensors are not suitable.

RF Receivers allow keyfob control of lighting and other equipment. Keyfobs are available in 1,2 & 3 button models. Connections shown is for the Monitor MCM-CLX RF Receiver.

Switches, sensors etc should be wired to BM2600 inputs using heavy duty shielded security cable.

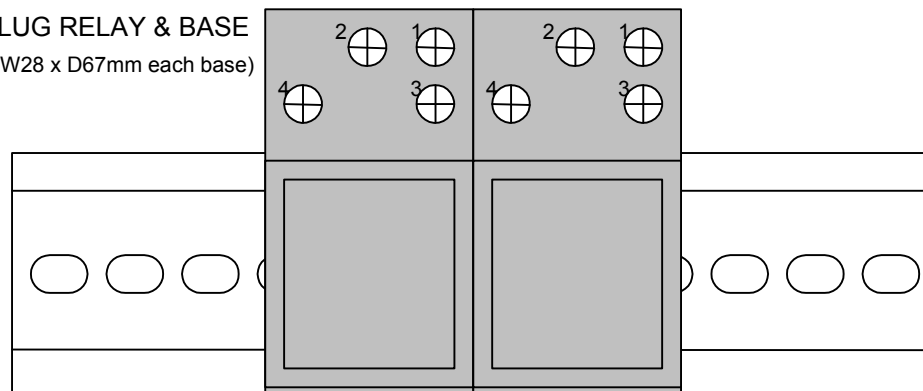
The power supply must be rated to supply all connected loads. All equipment should be installed to the manufacturers specifications. Information contained herein is for illustrative purposes only and is subject to change without notice.



BM-DALI Controller Digital Inputs		
DRG NO: DALI-2002	DATE: 28-AUG-2007	REV NO: C

www.dalicontrol.com

PLUG RELAY & BASE
(typical H72 x W28 x D67mm each base)



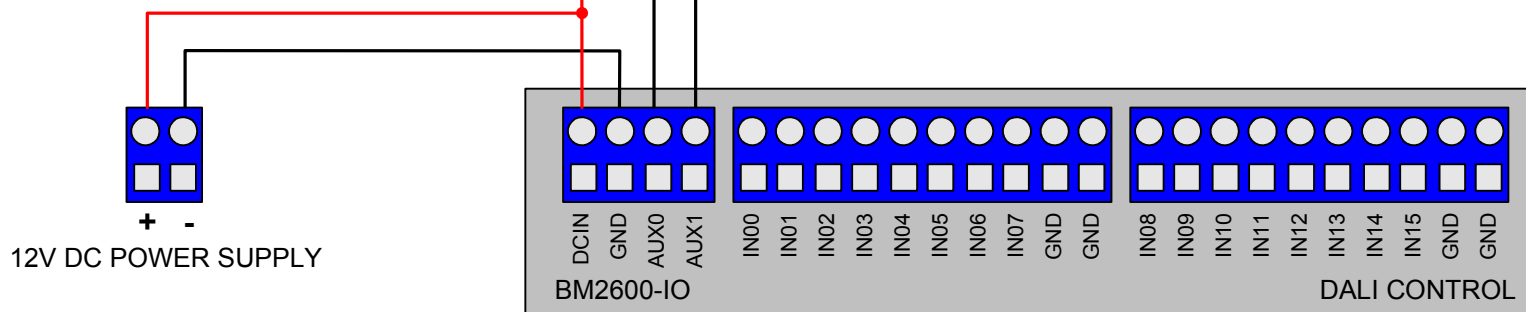
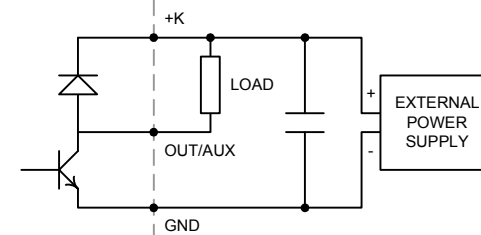
RELAY BASE TERMINALS
 1 CONTACT1 NORMALLY CLOSED
 2 CONTACT1 NORMALLY OPEN
 3 CONTACT1 COMMON
 4 CONTACT2 NORMALLY CLOSED
 5 CONTACT2 NORMALLY OPEN
 6 CONTACT2 COMMON
 7 COIL
 8 COIL
 (Arrangement shown is for PTF08A)

NOTE:
 The BM2600 has 8 internal digital outputs
 OUT0..OUT7. Each output can sink 200mA.

When the BM2600 controller is mounted in the
 BM2600-CASE the default configuration has 2
 outputs wired to terminals AUX0 and AUX1 on
 the BM2600-IO faceplate.

When using the digital outputs to switch inductive
 loads it may be necessary to power K with a
 separate power supply.

OUTPUT CIRCUIT



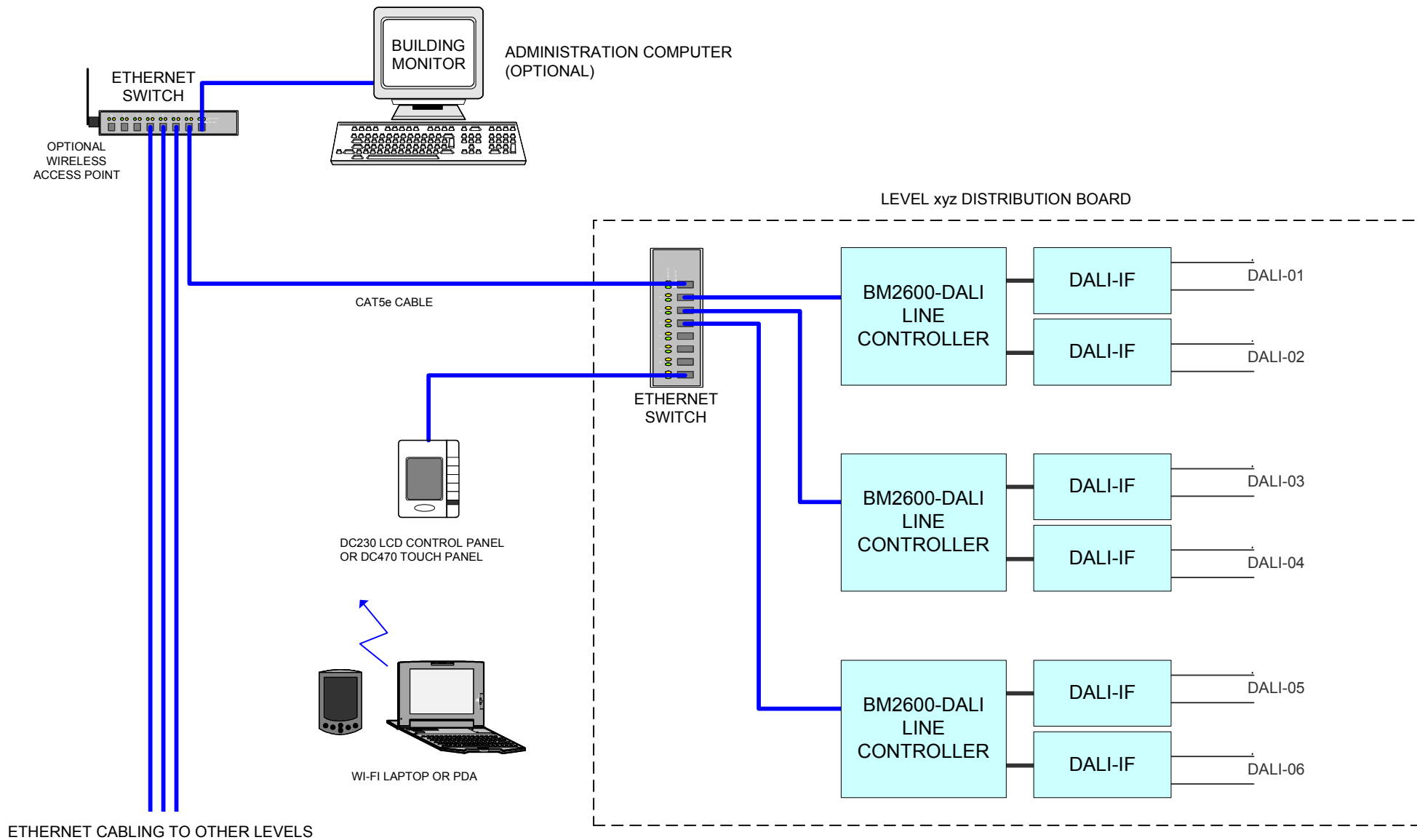
BM-DALI Controller Digital Outputs

DRG NO: DALI-2003

DATE: 28-MAR-2005

REV NO: A

www.dalicontrol.com



NOTE: ETHERNET NETWORK CABLING MUST BE COMPLETED TO ETHERNET STANDARDS.
 THE ETHERNET SWITCH IN THE DISTRIBUTION BOARD IS NOT REQUIRED IF A SEPARATE CAT5 CABLE IS RUN FROM THE MAIN SWITCH TO EACH BM2600-DALI LINE CONTROLLER.



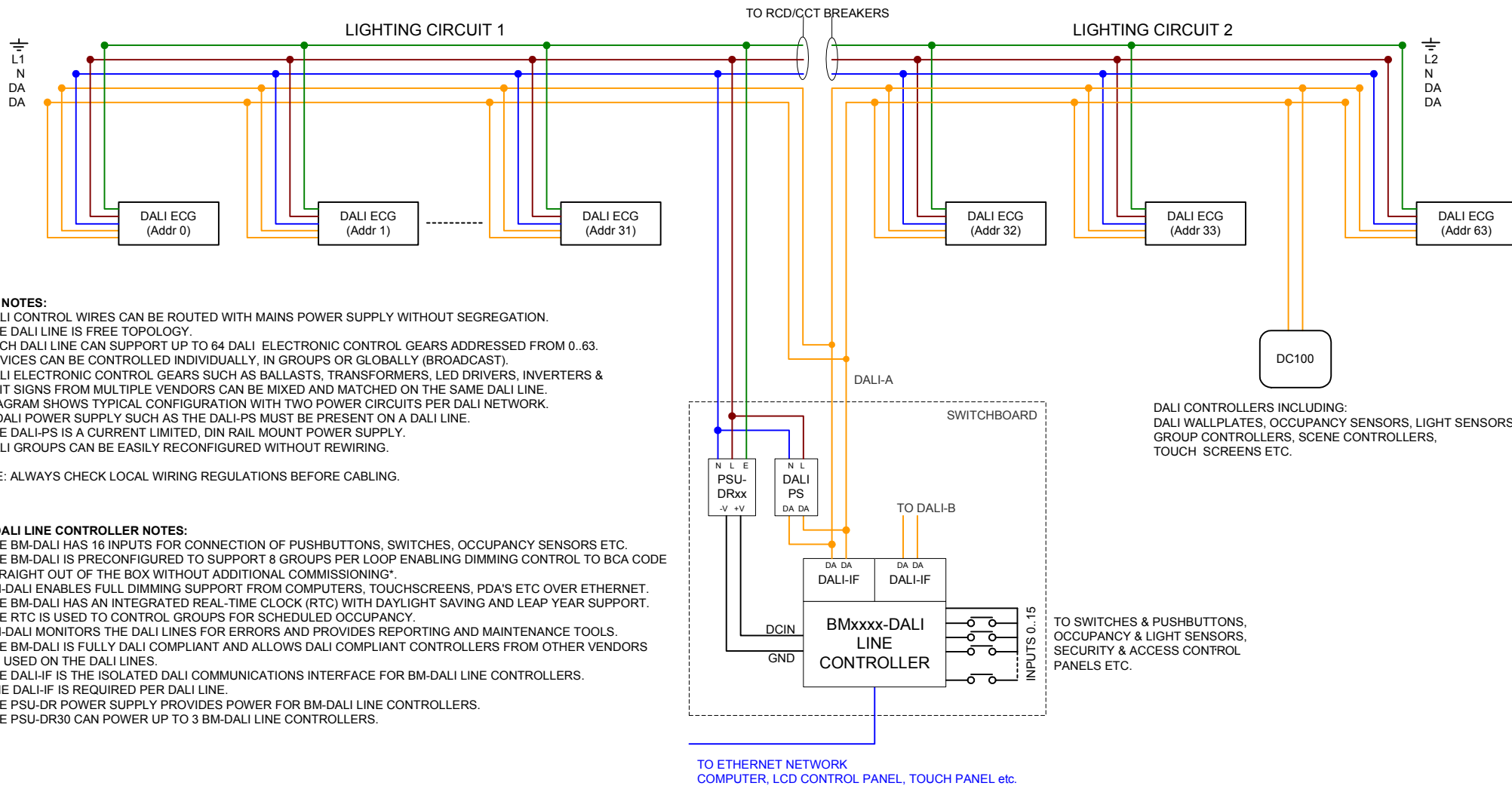
BM2500-DALI Controller Ethernet Overview

DRG NO: DALI-2004

DATE: 28-AUG-2007

REV NO: B

www.dalicontrol.com



DALI NOTES:

1. DALI CONTROL WIRES CAN BE ROUTED WITH MAINS POWER SUPPLY WITHOUT SEGREGATION.
2. THE DALI LINE IS FREE TOPOLOGY.
3. EACH DALI LINE CAN SUPPORT UP TO 64 DALI ELECTRONIC CONTROL GEARS ADDRESSED FROM 0..63.
4. DEVICES CAN BE CONTROLLED INDIVIDUALLY, IN GROUPS OR GLOBALLY (BROADCAST).
5. DALI ELECTRONIC CONTROL GEARS SUCH AS BALLASTS, TRANSFORMERS, LED DRIVERS, INVERTERS & EXIT SIGNS FROM MULTIPLE VENDORS CAN BE MIXED AND MATCHED ON THE SAME DALI LINE.
6. DIAGRAM SHOWS TYPICAL CONFIGURATION WITH TWO POWER CIRCUITS PER DALI NETWORK.
7. A DALI POWER SUPPLY SUCH AS THE DALI-PS MUST BE PRESENT ON A DALI LINE.
THE DALI-PS IS A CURRENT LIMITED, DIN RAIL MOUNT POWER SUPPLY.
8. DALI GROUPS CAN BE EASILY RECONFIGURED WITHOUT REWIRING.

NOTE: ALWAYS CHECK LOCAL WIRING REGULATIONS BEFORE CABLING.

BM-DALI LINE CONTROLLER NOTES:

1. THE BM-DALI HAS 16 INPUTS FOR CONNECTION OF PUSHBUTTONS, SWITCHES, OCCUPANCY SENSORS ETC. THE BM-DALI IS PRECONFIGURED TO SUPPORT 8 GROUPS PER LOOP ENABLING DIMMING CONTROL TO BCA CODE STRAIGHT OUT OF THE BOX WITHOUT ADDITIONAL COMMISSIONING*.
2. BM-DALI ENABLES FULL DIMMING SUPPORT FROM COMPUTERS, TOUCHSCREENS, PDA'S ETC OVER ETHERNET.
3. THE BM-DALI HAS AN INTEGRATED REAL-TIME CLOCK (RTC) WITH DAYLIGHT SAVING AND LEAP YEAR SUPPORT. THE RTC IS USED TO CONTROL GROUPS FOR SCHEDULED OCCUPANCY.
4. BM-DALI MONITORS THE DALI LINES FOR ERRORS AND PROVIDES REPORTING AND MAINTENANCE TOOLS.
5. THE BM-DALI IS FULLY DALI COMPLIANT AND ALLOWS DALI COMPLIANT CONTROLLERS FROM OTHER VENDORS TO USED ON THE DALI LINES.
6. THE DALI-IF IS THE ISOLATED DALI COMMUNICATIONS INTERFACE FOR BM-DALI LINE CONTROLLERS. ONE DALI-IF IS REQUIRED PER DALI LINE.
7. THE PSU-DR POWER SUPPLY PROVIDES POWER FOR BM-DALI LINE CONTROLLERS. THE PSU-DR30 CAN POWER UP TO 3 BM-DALI LINE CONTROLLERS.

DALI ECG's ARE AVAILABLE FOR FL, CFL LAMPS, LV HALOGEN, INCANDESCENT, HID, LEDs, EMERGENCY FITTINGS, EXIT SIGNS AND FIXED OUTPUT, DSI AND 1..10V ANALOG CHANNELS etc.



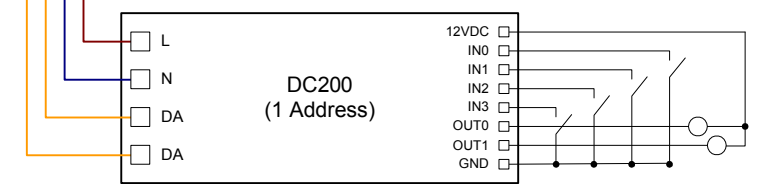
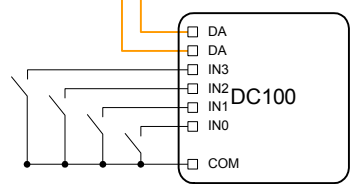
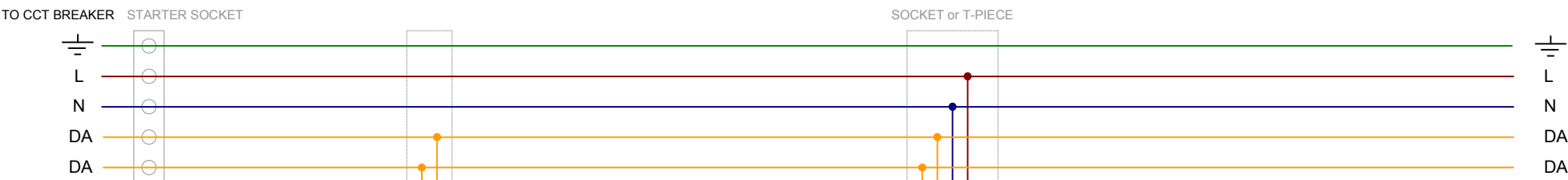
MULTI-CIRCUIT DALI CONTROL WIRING DIAGRAM

DRG NO: DALI-2005

DATE: 20-JUN-2007

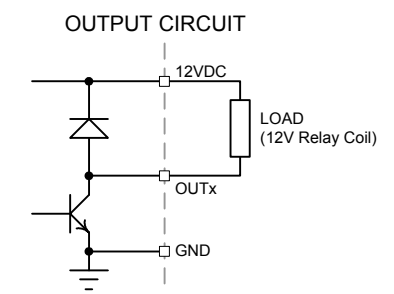
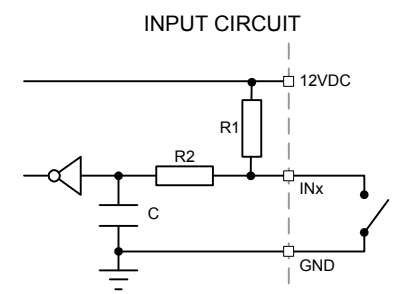
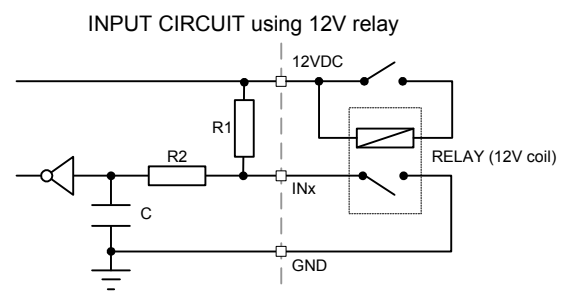
REV NO: C

www.dalicontrol.com



DALI CONTROL DC100 SERIES
 DC100-GC GROUP CONTROLLER
 DC100-SC SCENE CONTROLLER

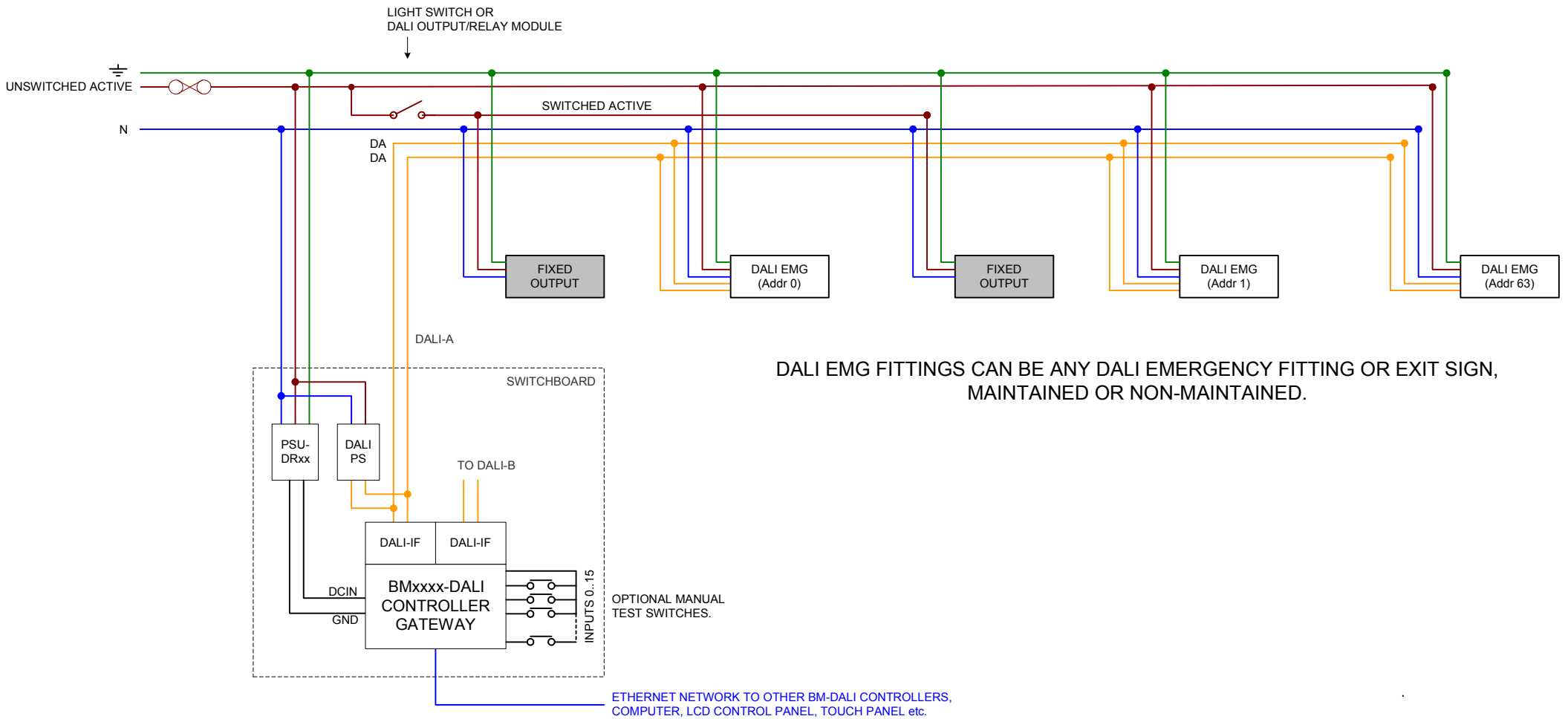
DALI CONTROL DC200 SERIES
 DC200-INP4 ROOM CONTROLLER
 DC200-OUT2 2-CHANNEL OUTPUT MODULE
 DC200-BCM BLIND CONTROL MODULE
 DC200-TM TASKMASTER CONTROLLER



DALI DC100 & DC200 Wiring Overview

DRG NO: DALI-2006	DATE: 08-OCT-2007	REV NO: B
-------------------	-------------------	-----------

www.dalicontrol.com



DALI NOTES:

1. DALI CONTROL LINES CAN BE ROUTED WITH MAINS POWER SUPPLY WITHOUT SEGREGATION.
2. THE DALI LINE IS FREE TOPOLOGY.
3. EACH DALI LINE CAN SUPPORT UP TO 64 DALI ELECTRONIC CONTROL GEARS ADDRESSED FROM 0..63.
4. DEVICES CAN BE CONTROLLED INDIVIDUALLY, IN GROUPS OR GLOBALLY.
5. DALI ELECTRONIC CONTROL GEARS SUCH AS BALLASTS, TRANSFORMERS, LED DRIVERS, INVERTERS & EXIT SIGNS FROM MULTIPLE VENDORS CAN BE MIXED AND MATCHED ON THE SAME DALI LINE.
6. DIAGRAM SHOWS TYPICAL CONFIGURATION WITH TWO POWER CIRCUITS PER DALI LINE.
7. A DALI POWER SUPPLY SUCH AS THE DALI-PS MUST BE PRESENT ON A DALI LINE.
THE DALI-PS IS A CURRENT LIMITED, DIN RAIL MOUNT POWER SUPPLY.
8. DALI GROUPS CAN BE EASILY RECONFIGURED WITHOUT REWIRING.

NOTE: ALWAYS CHECK LOCAL WIRING REGULATIONS BEFORE CABLING.

BM-DALI LINE CONTROLLER NOTES:

1. THE BM-DALI HAS 16 INPUTS FOR CONNECTION OF PUSHBUTTONS, SWITCHES ETC.
2. THE BM-DALI LINE CONTROLLER CAN BE ACCESSED BY COMPUTERS, TOUCHSCREENS & PDA'S ETC OVER ETHERNET.
3. THE BM-DALI HAS AN INTEGRATED REAL-TIME CLOCK (RTC) WITH DAYLIGHT SAVING AND LEAP YEAR SUPPORT.
THE RTC IS USED TO CONTROL GROUPS FOR SCHEDULED TESTING.
4. THE BM-DALI MONITORS THE DALI LINES FOR ERRORS AND PROVIDES TEST AND MAINTENANCE REPORTS.
5. THE BM-DALI IS FULLY DALI COMPLIANT AND ALLOWS DALI EMERGENCY FITTINGS FROM ANY VENDOR TO BE USED.
6. THE DALI-IF IS THE ISOLATED DALI COMMUNICATIONS INTERFACE FOR BM-DALI LINE CONTROLLERS.
ONE DALI-IF IS REQUIRED PER DALI LINE. EACH BM-DALI CONTROLLER SUPPORTS TWO DALI LINES.
7. THE PSU-DR POWER SUPPLY PROVIDES POWER FOR BM-DALI LINE CONTROLLERS.
THE PSU-DR30 CAN POWER UP TO 3 BM-DALI LINE CONTROLLERS.
8. THE BM-DALI LINE CONTROLLER INCLUDES A BUILT-IN WEB SERVER SO STATUS REPORTS CAN BE ACCESSED BY A WEB BROWSER SUCH AS INTERNET EXPLORER.



DALI EMERGENCY WIRING DIAGRAM

DRG NO: DALI-2007

DATE: 20-JUN-2007

REV NO:

www.dalicontrol.com

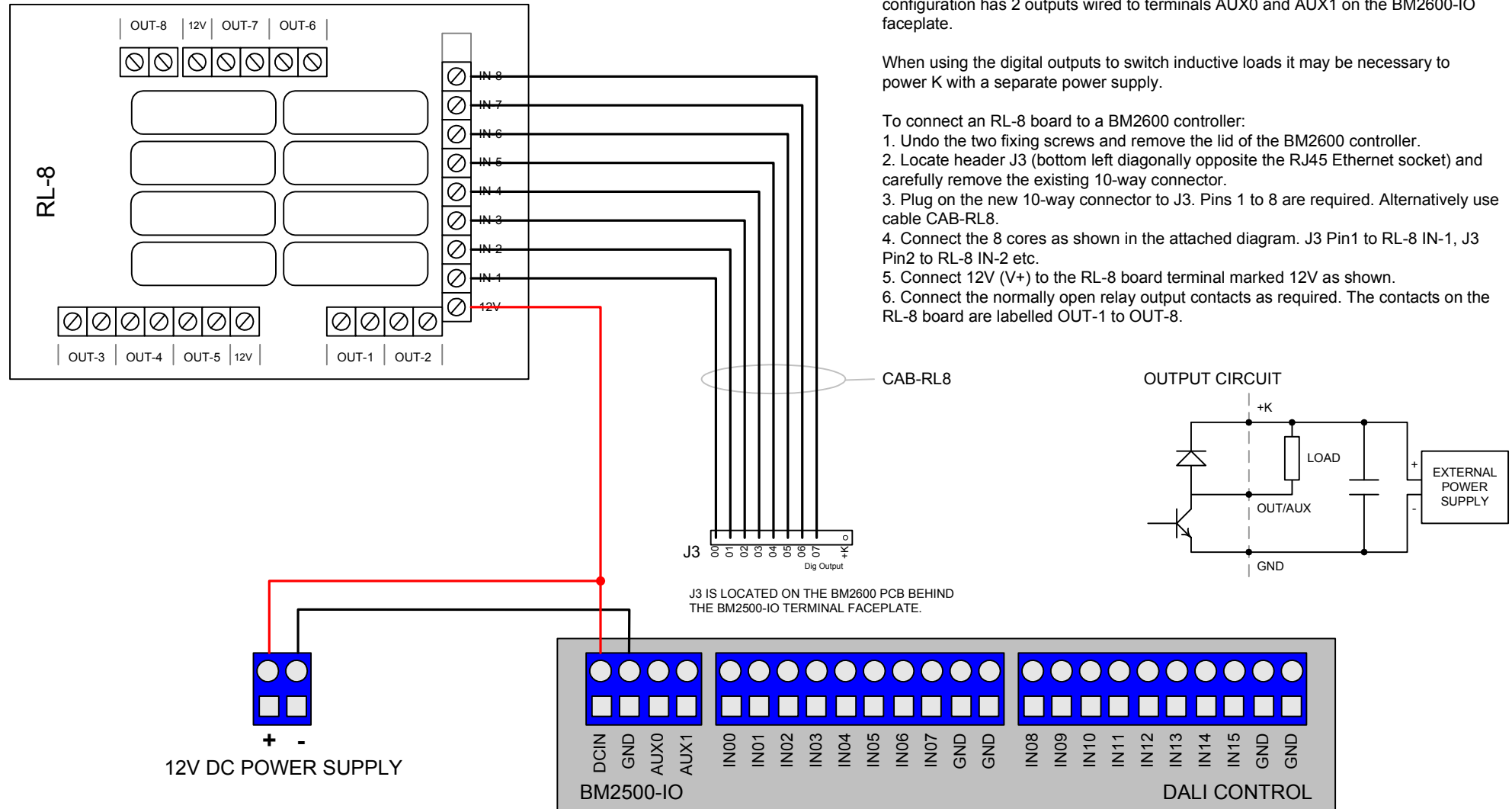
NOTE:
The BM2600 has 8 internal digital outputs OUT0..OUT7. Each output can sink 200mA.

When the BM2600 controller is mounted in the BM2600-CASE the default configuration has 2 outputs wired to terminals AUX0 and AUX1 on the BM2600-IO faceplate.

When using the digital outputs to switch inductive loads it may be necessary to power K with a separate power supply.

To connect an RL-8 board to a BM2600 controller:

1. Undo the two fixing screws and remove the lid of the BM2600 controller.
2. Locate header J3 (bottom left diagonally opposite the RJ45 Ethernet socket) and carefully remove the existing 10-way connector.
3. Plug on the new 10-way connector to J3. Pins 1 to 8 are required. Alternatively use cable CAB-RL8.
4. Connect the 8 cores as shown in the attached diagram. J3 Pin1 to RL-8 IN-1, J3 Pin2 to RL-8 IN-2 etc.
5. Connect 12V (V+) to the RL-8 board terminal marked 12V as shown.
6. Connect the normally open relay output contacts as required. The contacts on the RL-8 board are labelled OUT-1 to OUT-8.



BM-RL8 Digital Outputs

DRG NO: DALI-2008

DATE: 26-JUL-2007

REV NO: A

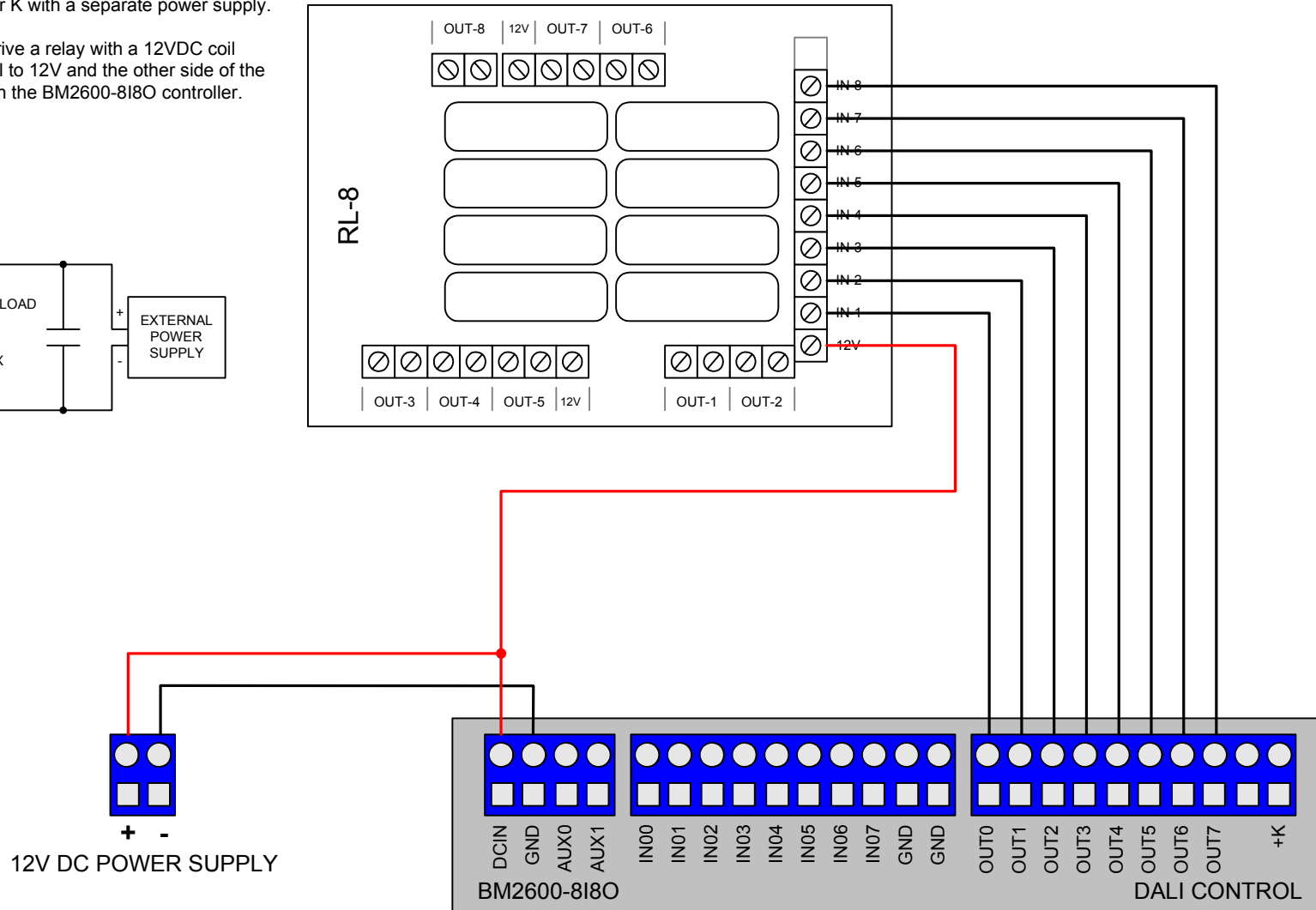
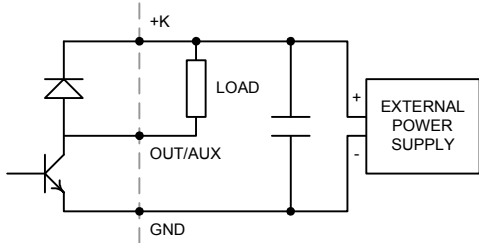
www.dalicontrol.com

NOTE:
The BM2600-8I8O has 8 digital outputs OUT0..OUT7. Each output can sink 200mA.

When using the digital outputs to switch inductive loads it may be necessary to power K with a separate power supply.

When using an output to drive a relay with a 12VDC coil connect one side of the coil to 12V and the other side of the coil to an output terminal on the BM2600-8I8O controller.

OUTPUT CIRCUIT



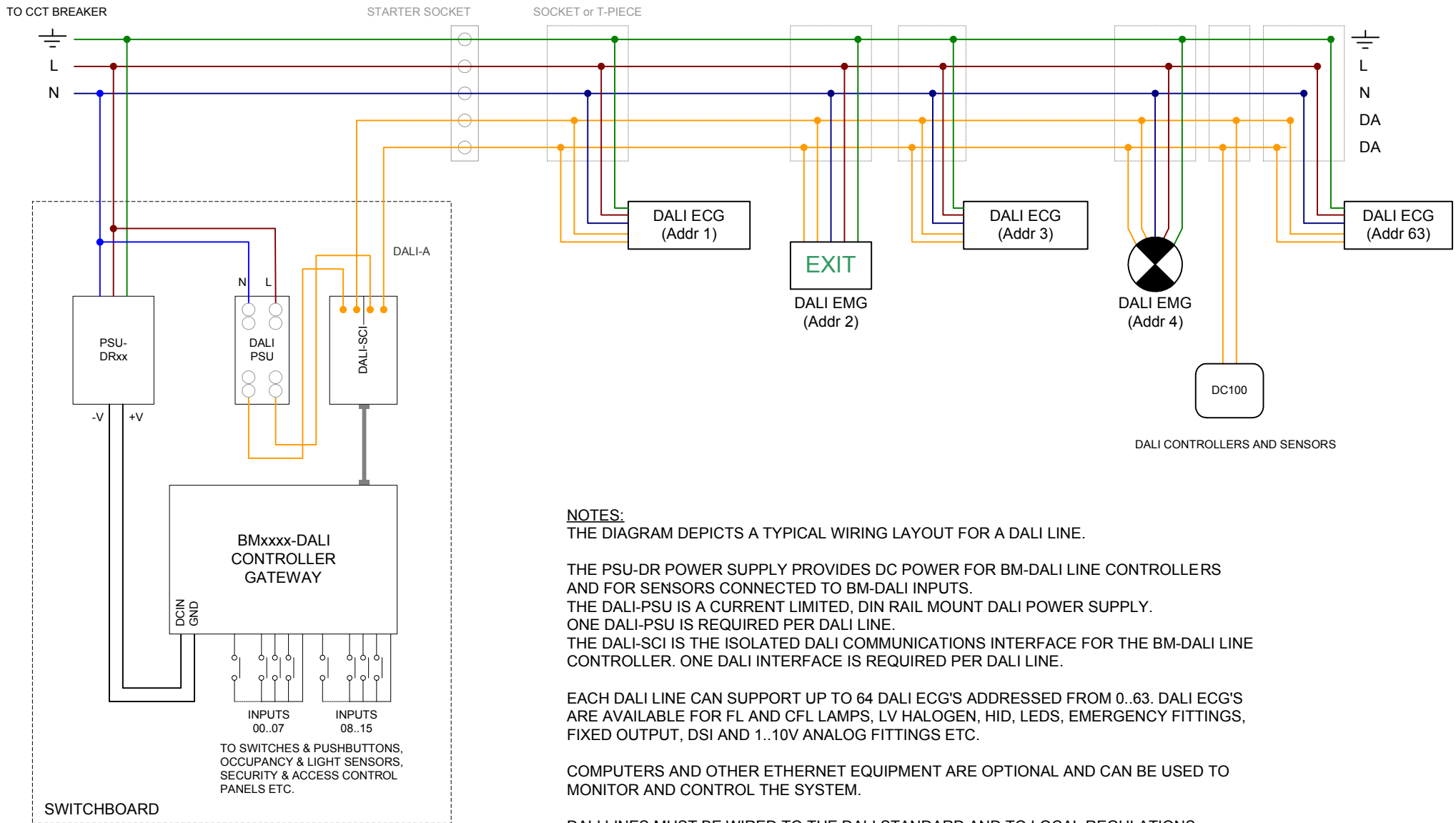
BM2600-8I8O Digital Outputs

DRG NO: DALI-2009

DATE: 26-JUL-2007

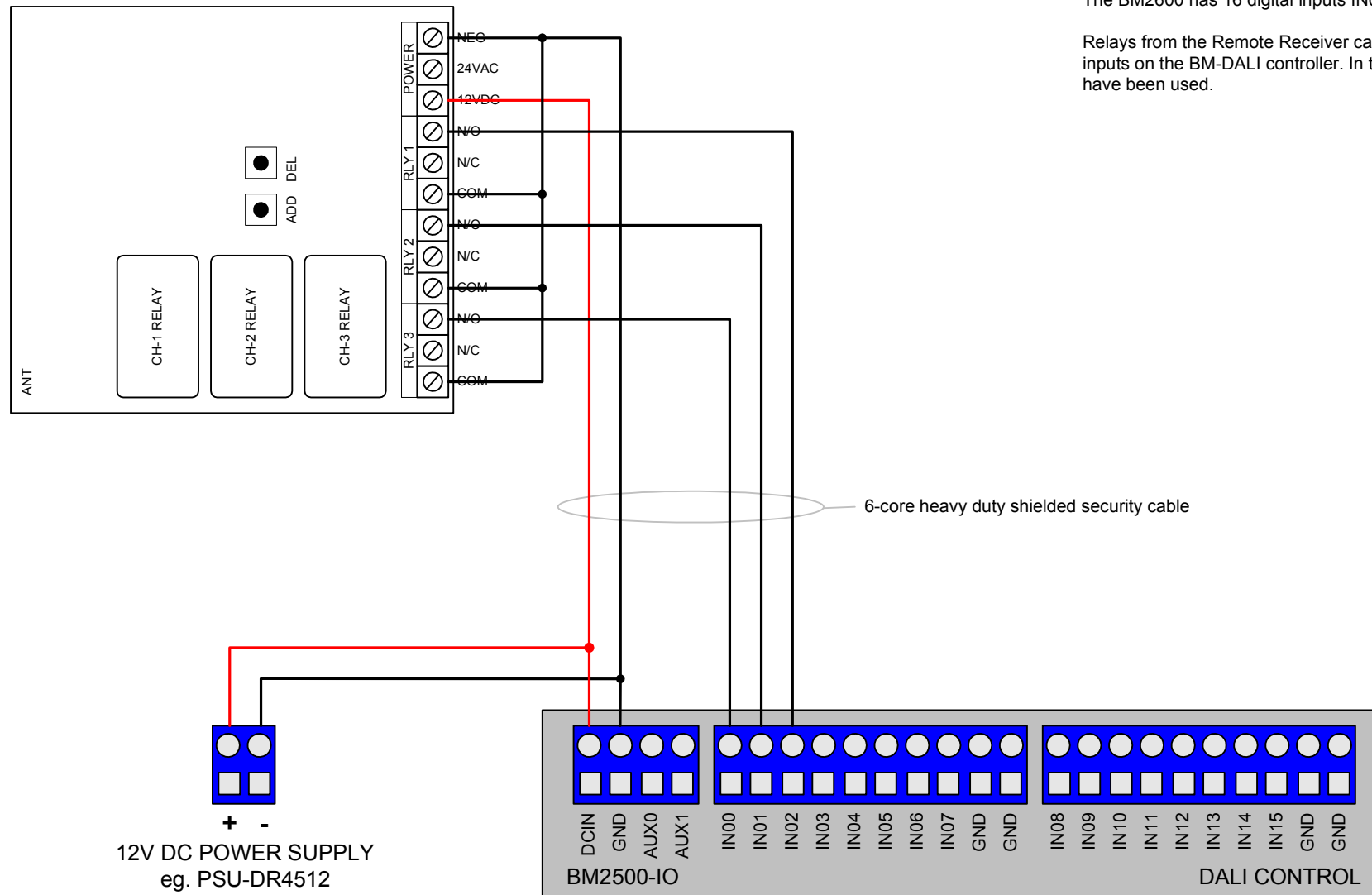
REV NO: A

www.dalicontrol.com



BM-DALI Controller Wiring Overview		
DRG NO: DALI-2010	DATE: 28-JAN-2008	REV NO: A

REMOTE RECEIVER



NOTE:

The BM2600 has 16 digital inputs IN00..IN15.

Relays from the Remote Receiver can be connected to any of the inputs on the BM-DALI controller. In this example inputs IN00 to IN02 have been used.



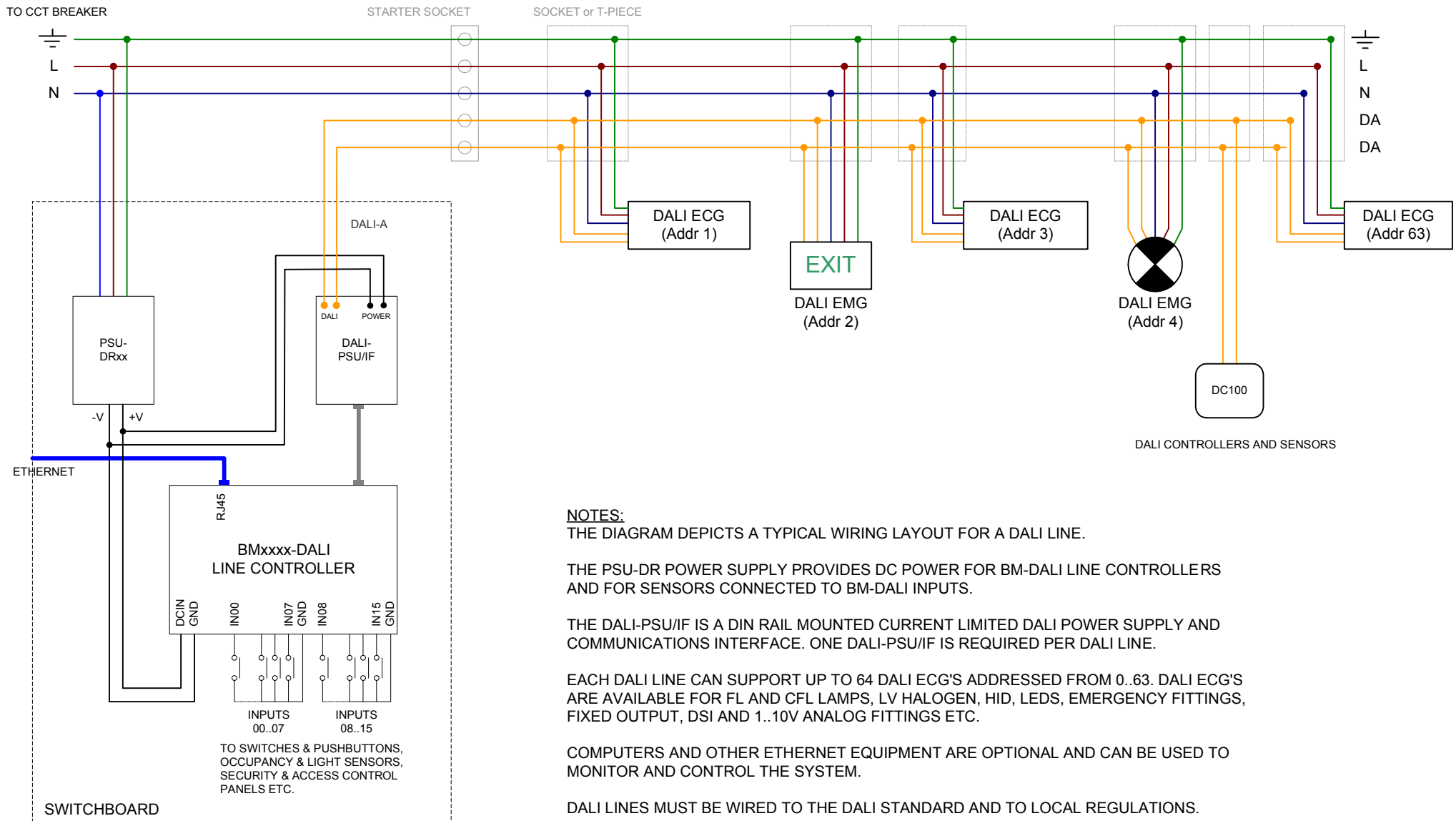
3-Channel Remote Receiver

DRG NO: DALI-2011

DATE: 14-JAN-2008

REV NO:

www.dalicontrol.com



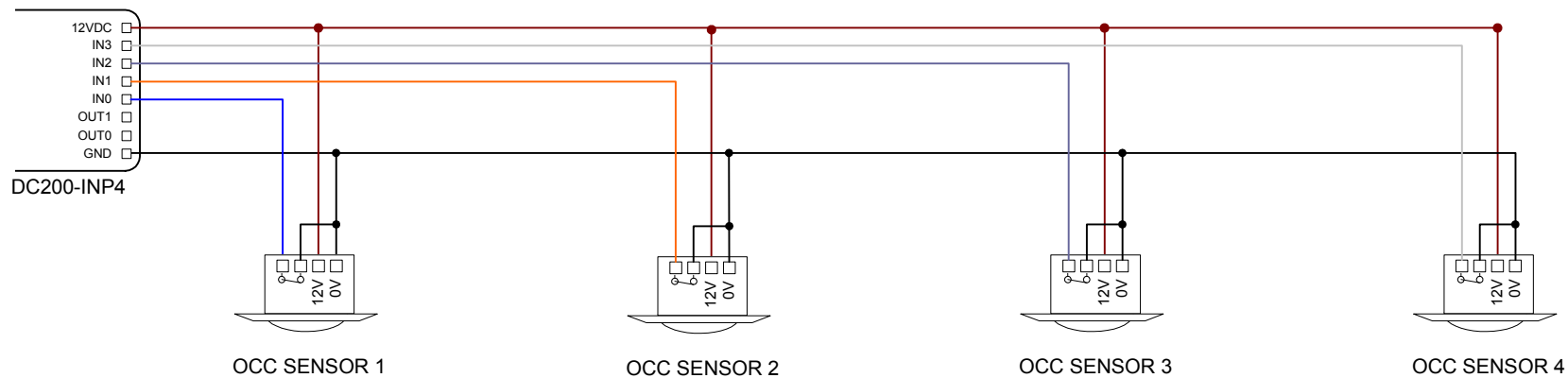
BM-DALI Controller Wiring Overview

DRG NO: DALI-2012

DATE: 28-JAN-2008

REV NO: A

www.dalicontrol.com



NOTES:

THE DIAGRAM ILLUSTRATES HOW TO CONNECT FOUR(4) OCCUPANCY SENSORS TO ONE(1) DC200-INP4 INPUT CONTROLLER USING A 6-CORE SECURITY CABLE. A SHIELDED CAT5 CABLE CAN ALSO BE USED. EACH SENSOR REQUIRES 12VDC, GND AND A SIGNAL WIRE.

WHEN OCCUPANCY IS DETECTED EACH OCCUPANCY SENSOR TRIGGERS AN INPUT ON THE DC200-INP4 TO CONTROL THE REQUIRED GROUP OF DALI LIGHT FITTINGS. CONTROL CAN BE CONFIGURED FOR ON LEVEL, OVERRIDE PERIOD AND WARNING LEVEL.

THE SAME TECHNIQUE CAN ALSO BE USED WHEN CONNECTING TO INPUTS ON BM-DALI LINE CONTROLLERS.



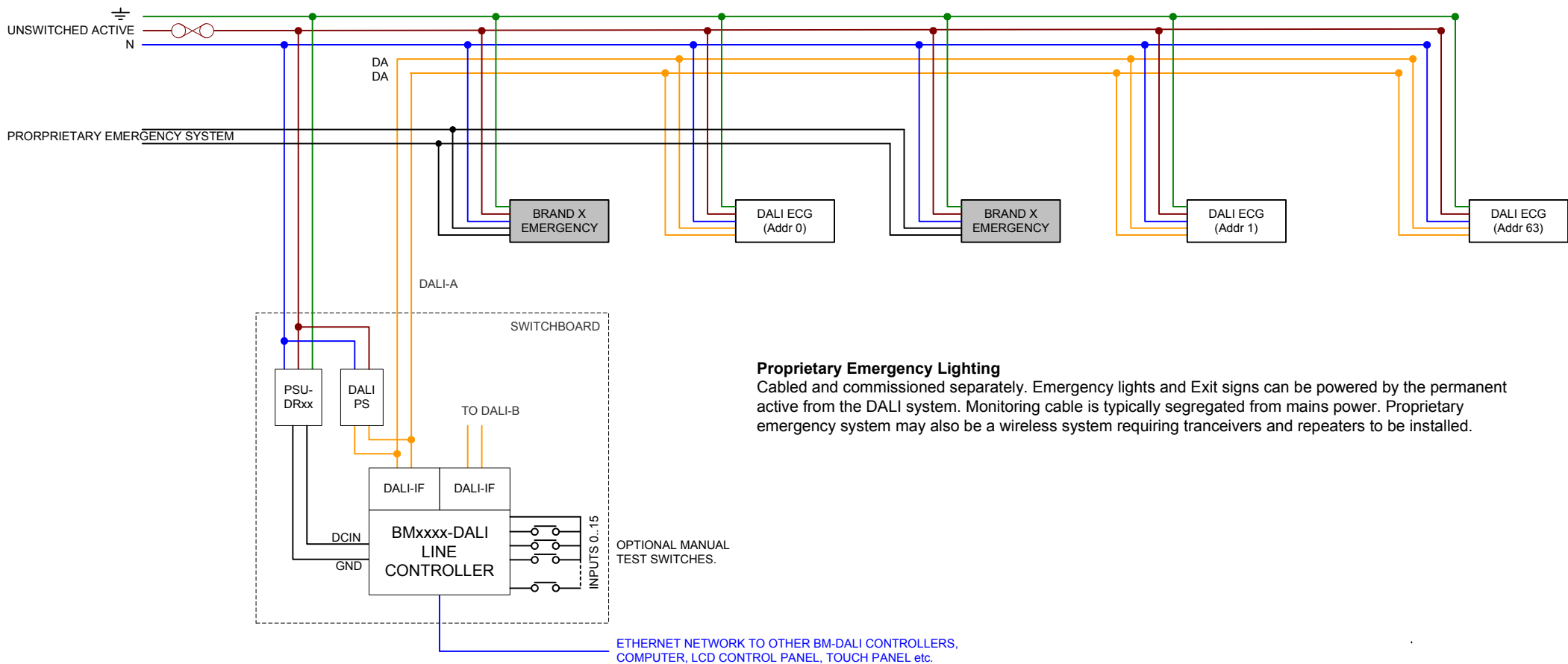
Occupancy Control using multi-core cable

DRG NO: DALI-2013

DATE: 18-JUN-2008

REV NO: B

www.dalicontrol.com



Proprietary Emergency Lighting

Cabled and commissioned separately. Emergency lights and Exit signs can be powered by the permanent active from the DALI system. Monitoring cable is typically segregated from mains power. Proprietary emergency system may also be a wireless system requiring transceivers and repeaters to be installed.

DALI NOTES:

1. DALI CONTROL WIRES CAN BE ROUTED WITH MAINS POWER SUPPLY WITHOUT SEGREGATION.
2. THE DALI LINE IS FREE TOPOLOGY.
3. EACH DALI LINE CAN SUPPORT UP TO 64 DALI ELECTRONIC CONTROL GEARS ADDRESSED FROM 0..63.
4. DEVICES CAN BE CONTROLLED INDIVIDUALLY, IN GROUPS OR GLOBALLY.
5. DALI ELECTRONIC CONTROL GEARS SUCH AS BALLASTS, TRANSFORMERS, LED DRIVERS, INVERTERS & EXIT SIGNS FROM MULTIPLE VENDORS CAN BE MIXED AND MATCHED ON THE ONE DALI LINE.
6. DIAGRAM SHOWS TYPICAL CONFIGURATION WITH TWO POWER CIRCUITS PER DALI LINE.
7. A DALI POWER SUPPLY SUCH AS THE DALI-PS MUST BE PRESENT ON A DALI LINE.
THE DALI-PS IS A CURRENT LIMITED, DIN RAIL MOUNT POWER SUPPLY.
8. DALI GROUPS CAN BE EASILY RECONFIGURED WITHOUT REWIRING.

NOTE: ALWAYS CHECK LOCAL WIRING REGULATIONS BEFORE CABLING.

BM-DALI LINE CONTROLLER NOTES:

1. THE BM-DALI HAS 16 INPUTS FOR CONNECTION OF PUSHBUTTONS, SWITCHES ETC.
2. THE BM-DALI LINE CONTROLLER CAN BE ACCESSED BY COMPUTERS, TOUCHSCREENS & PDA'S ETC OVER ETHERNET.
3. THE BM-DALI HAS AN INTEGRATED REAL-TIME CLOCK (RTC) WITH DAYLIGHT SAVING AND LEAP YEAR SUPPORT.
THE RTC IS USED TO CONTROL GROUPS FOR SCHEDULED TESTING.
4. THE BM-DALI MONITORS THE DALI LINES FOR ERRORS AND PROVIDES TEST AND MAINTENANCE REPORTS.
5. THE BM-DALI IS FULLY DALI COMPLIANT AND ALLOWS DALI EMERGENCY FITTINGS FROM ANY VENDOR TO BE USED.
6. THE DALI-IF IS THE DALI COMMUNICATIONS INTERFACE FOR BM-DALI LINE CONTROLLERS.
ONE DALI-IF IS REQUIRED PER DALI LINE. EACH BM-DALI CONTROLLER SUPPORTS TWO DALI LINES.
7. THE PSU-DR POWER SUPPLY PROVIDES POWER FOR BM-DALI LINE CONTROLLERS.
THE PSU-DR30 CAN POWER UP TO 3 BM-DALI LINE CONTROLLERS.
8. THE BM-DALI LINE CONTROLLER INCLUDES A BUILT-IN WEB SERVER SO STATUS REPORTS CAN BE ACCESSED BY A WEB BROWSER SUCH AS INTERNET EXPLORER.



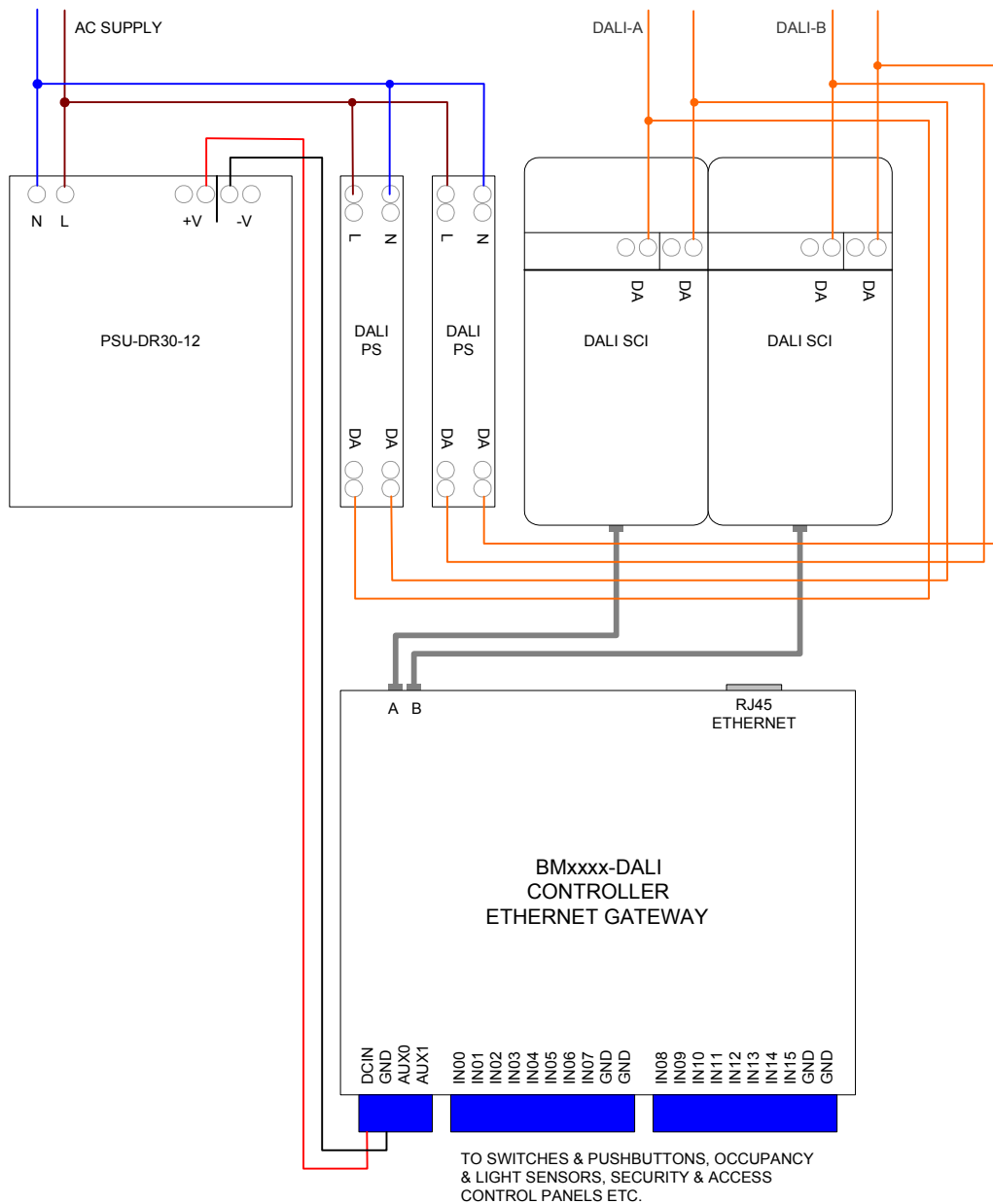
DALI with Non-DALI EMERGENCY

DRG NO: DALI-2014

DATE: 26-MAR-2008

REV NO:

www.dalicontrol.com



DIMENSIONS (mm):

PSU-DR3012	93H x 78W x 56D
PSU-DR4512	93H x 78W x 67D
PSU-DR6012	93H x 78W x 56D

DALI-PS	90H x 17W x 58D
DALI-PS2	90H x 34W x 57D
DALI-SCI	100H x 50W x 30D

BM2000-DALI	120H x 140W x 54D
BM2200-DALI	120H x 140W x 54D
BM2500-DALI	120H x 140W x 54D
BM2600-DALI	120H x 140W x 54D
BM2800-DALI	120H x 140W x 54D

NOTES:

DALI-PS should be separated by spacers to allow air flow and avoid overheating.

PSU-DR Power Supplies can power multiple BM-DALI Line Controllers and sensors according to the accumulated load.

On the BM-DALI Line Controller DALI-A is the front (top) connector and DALI-B is the back (bottom) connector.

Wiring to BM-DALI Line Controller inputs is a voltage free contact to Ground (GND). Refer to drawing DALI-2002.

Drawing is to scale.



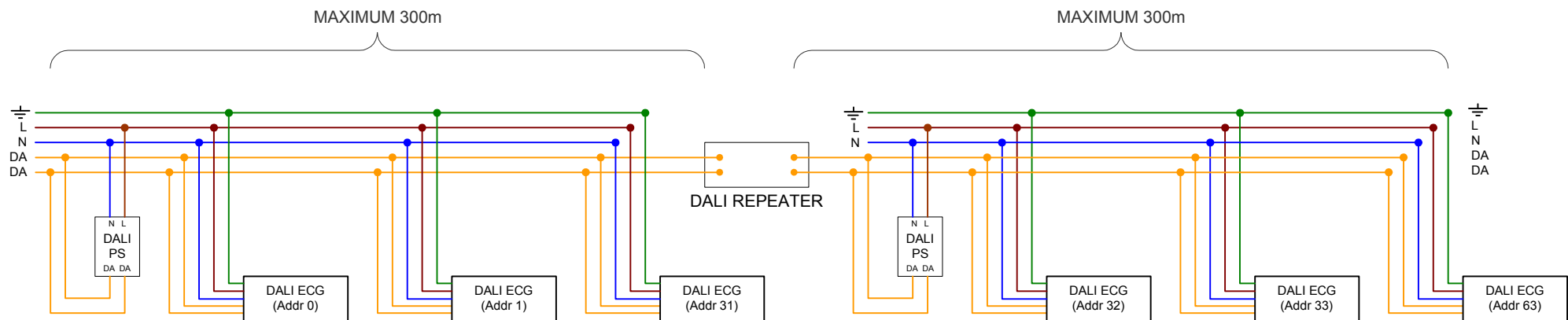
Typical Switchboard Layout

DRG NO: DALI-2015

DATE: 16-DEC-2008

REV NO: B

www.dalicontrol.com



DALI NOTES:

1. DIAGRAM SHOWS CONFIGURATION OF A DALI LINE EXTENDED BEYOND 300m WITH A DALI REPEATER.
2. DALI CONTROL WIRES CAN BE ROUTED WITH MAINS POWER SUPPLY WITHOUT SEGREGATION.
3. THE DALI LINE IS FREE TOPOLOGY.
4. EACH DALI LINE CAN SUPPORT UP TO 64 DALI ELECTRONIC CONTROL GEARS ADDRESSED FROM 0..63.
5. DALI ECGs CAN BE CONTROLLED INDIVIDUALLY, IN GROUPS OR GLOBALLY (BROADCAST).
6. A DALI POWER SUPPLY SUCH AS THE DALI-PS MUST BE PRESENT ON EACH DALI LINE SEGMENT.
THE DALI-PS IS A CURRENT LIMITED, DIN RAIL MOUNT POWER SUPPLY.
7. ALWAYS CHECK LOCAL WIRING REGULATIONS BEFORE CABLING.



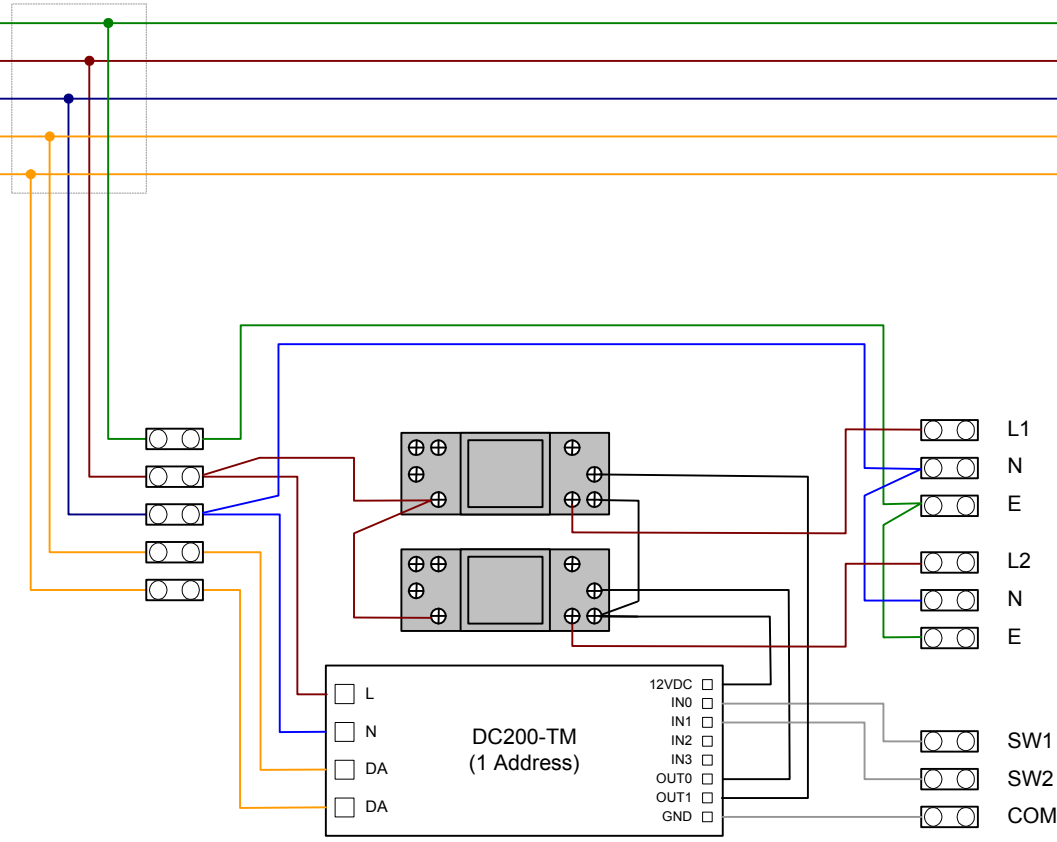
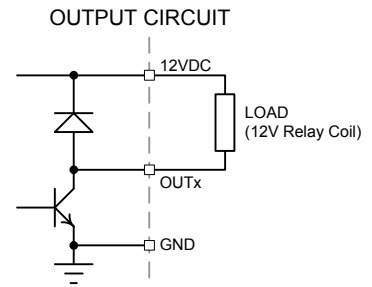
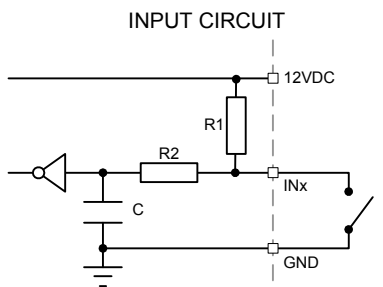
DALI REPEATER

DRG NO: DALI-2016

DATE: 8-AUG-2008

REV NO: -

www.dalicontrol.com



TaskMaster Wiring Overview

DRG NO: DALI-2017	DATE: 08-OCT-2008	REV NO:
-------------------	-------------------	---------